

W8ZR RF Power Amplifier

TUNE

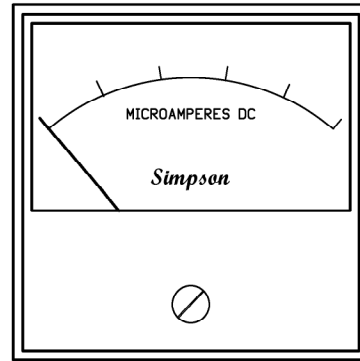
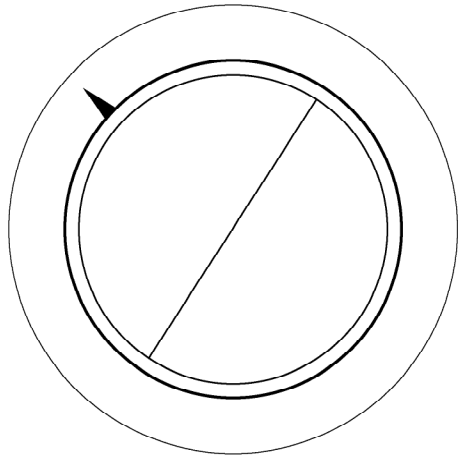
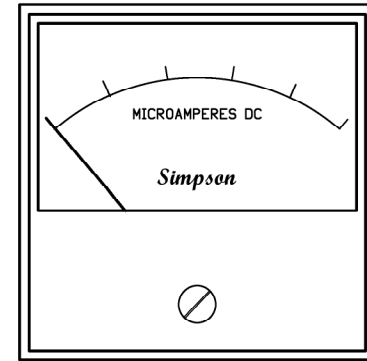
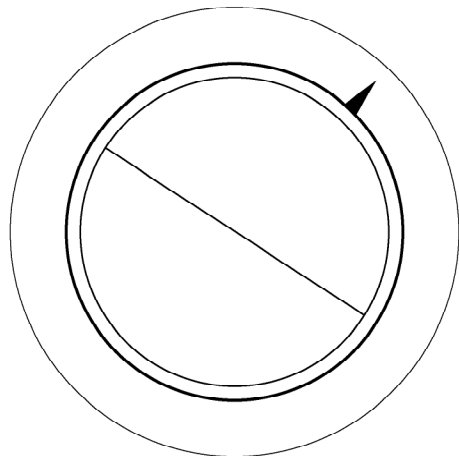


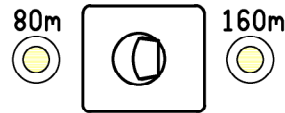
PLATE CURRENT



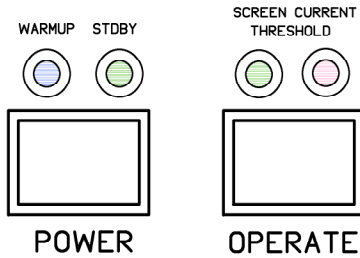
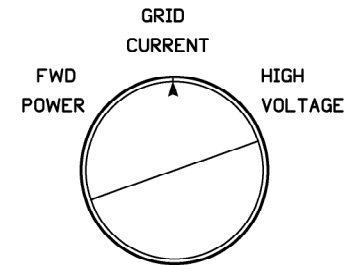
MULTIMETER



LOAD

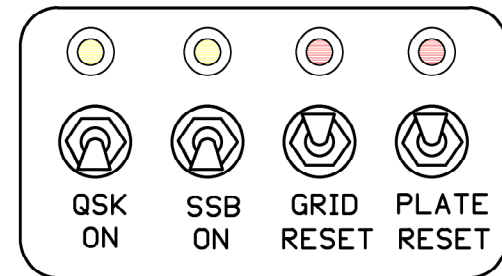


BAND



POWER

OPERATE

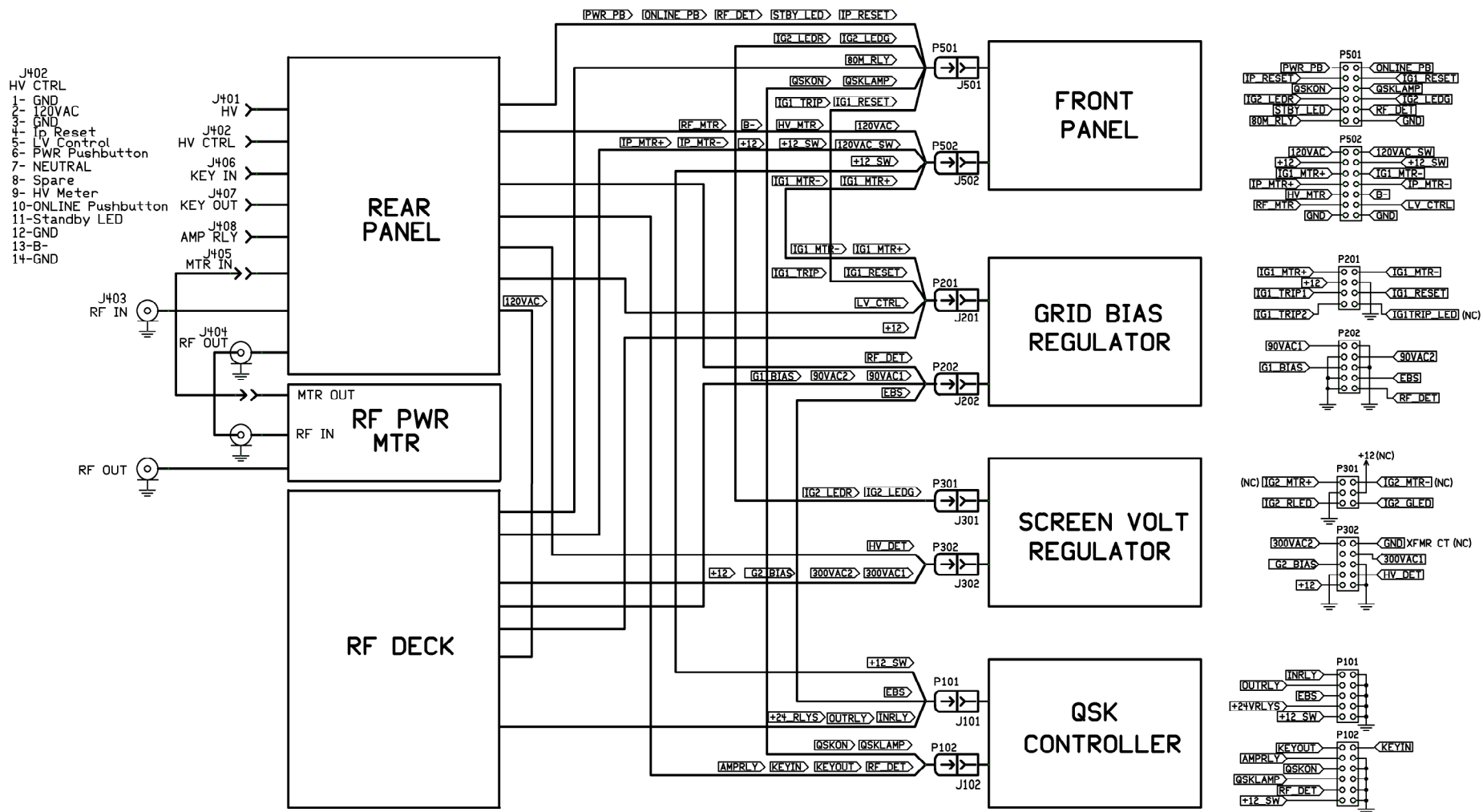


QSK
ON

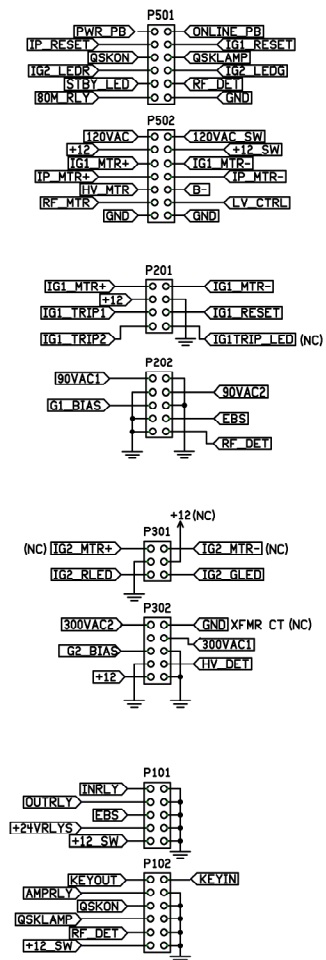
SSB
ON

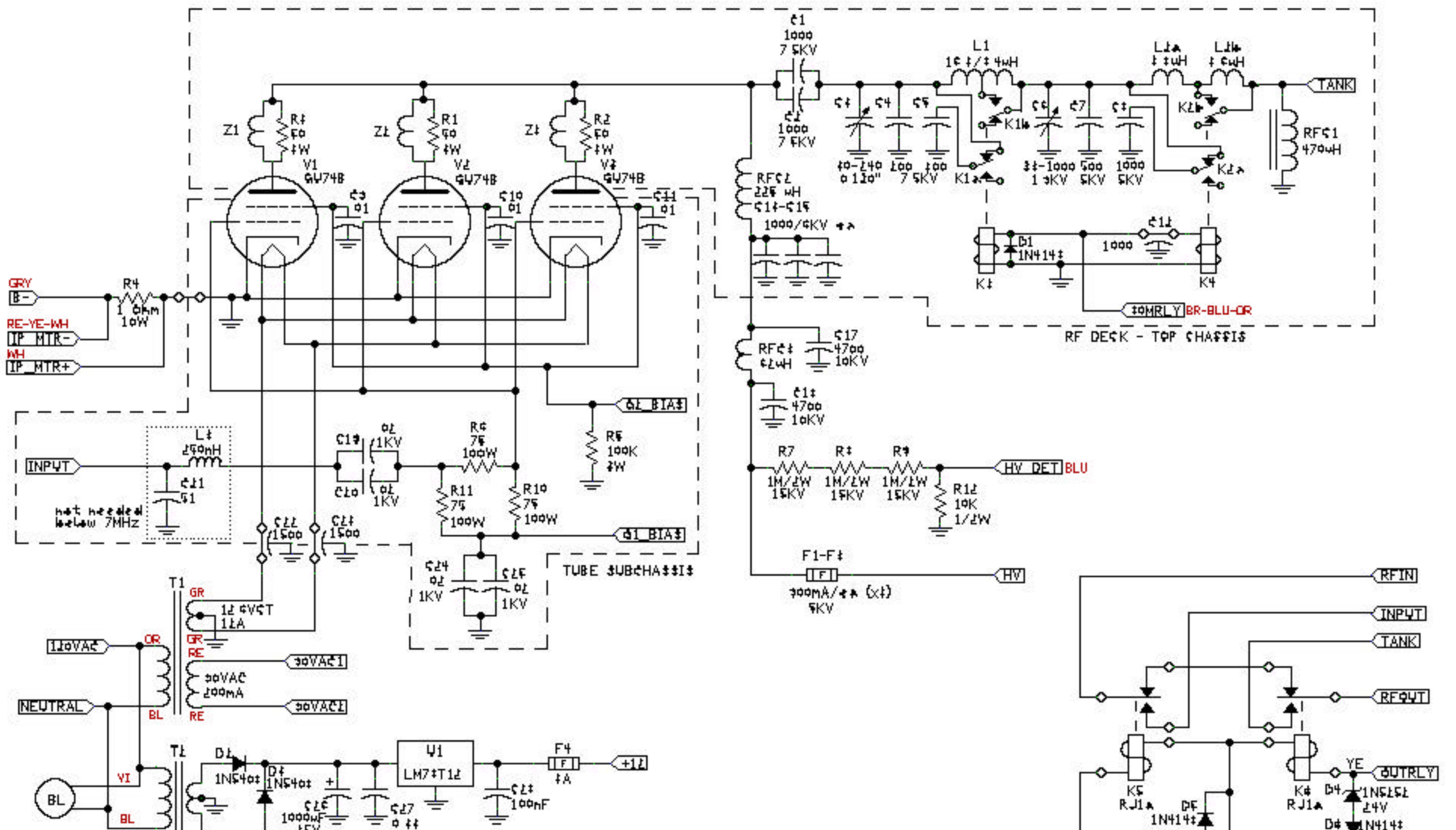
GRID
RESET

PLATE
RESET



- J402 HV CTRL
- 1- GND
- 2- 120VAC
- 3- GND
- 4- IP Reset
- 5- LV Control
- 6- PWR Pushbutton
- 7- NEUTRAL
- 8- Spare
- 9- HV Meter
- 10-ONLINE Pushbutton
- 11-Standby LED
- 12-GND
- 13-B-
- 14-GND



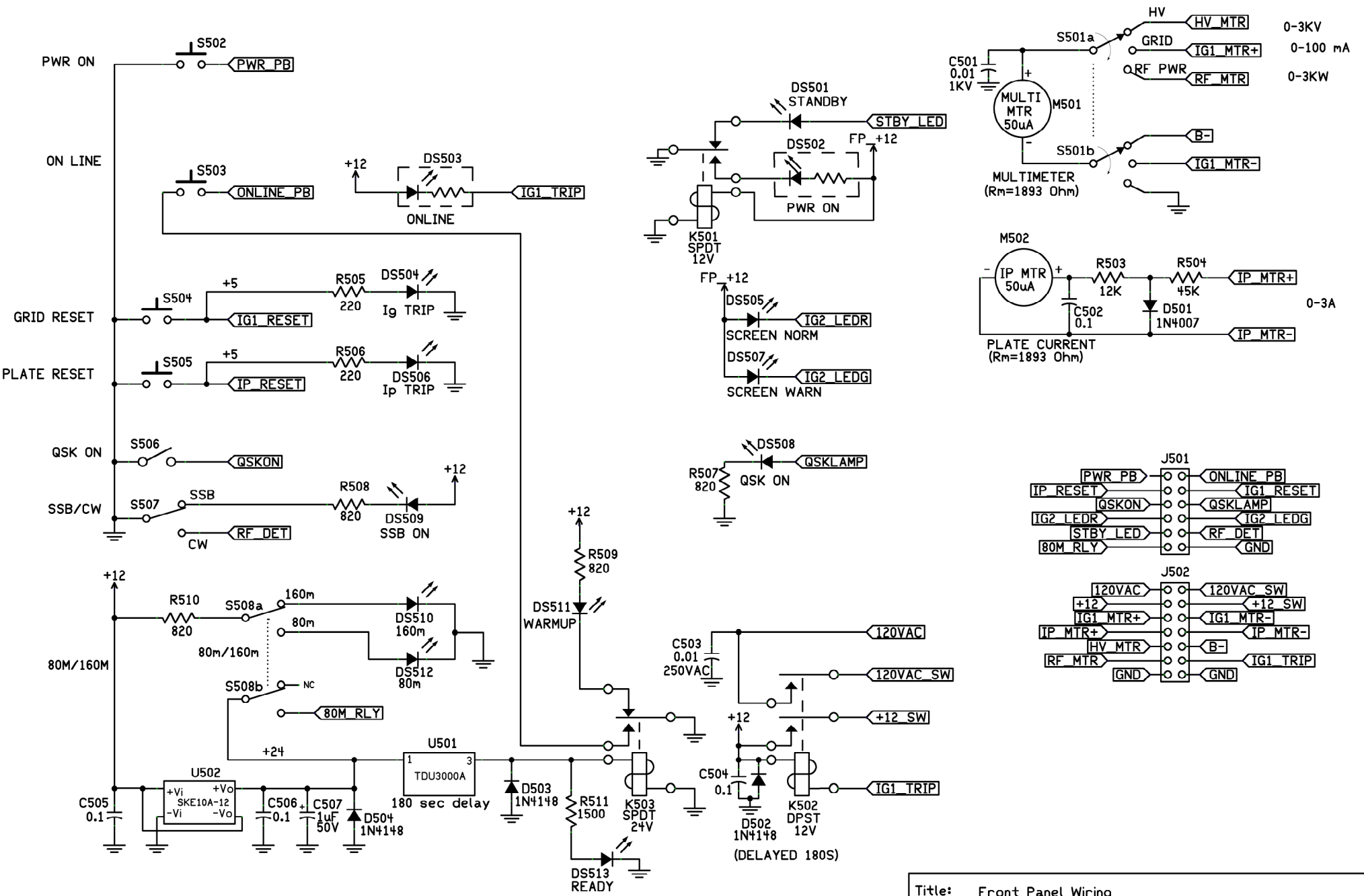


Calculated
Network Values
(Rp=720 ohms, Q=10)

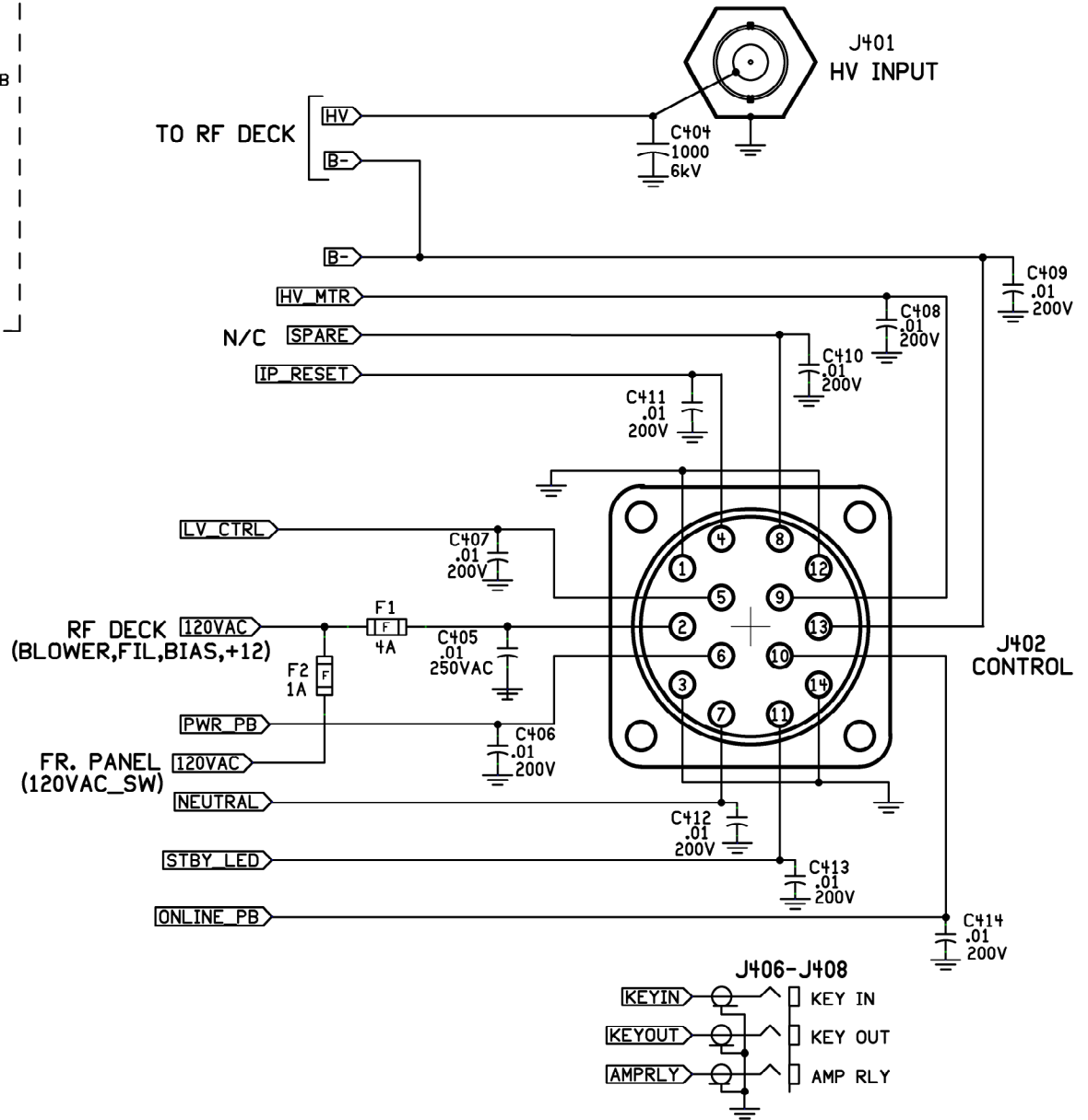
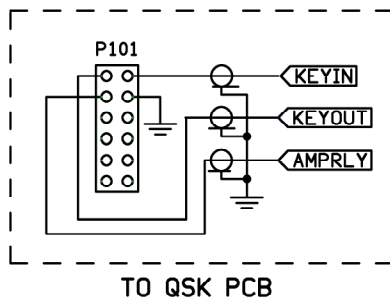
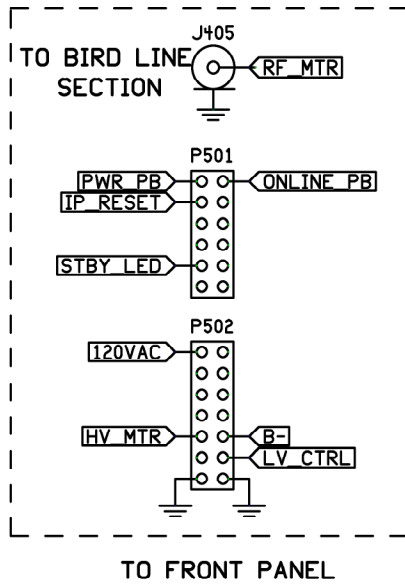
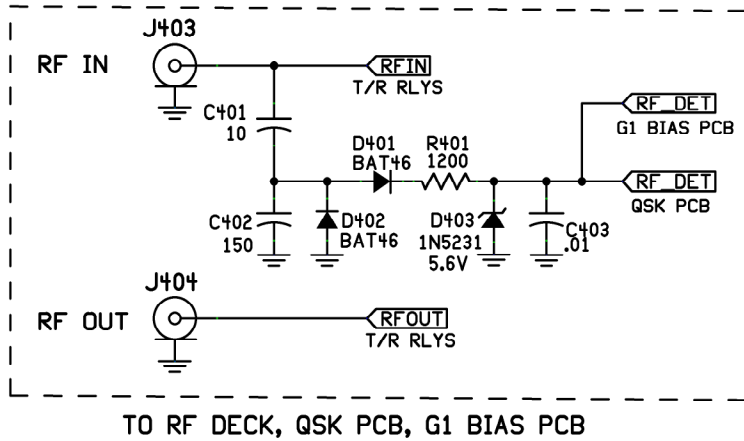
f	C1	C2	L1	L2
1.8	686	2055	16.5	7.39
2.0	618	1850	14.8	6.7
3.5	353	1057	8.5	3.8
4.0	309	925	7.4	3.3

NOTE C9, C10, C11 are in addition to caps in 5K101 sockets

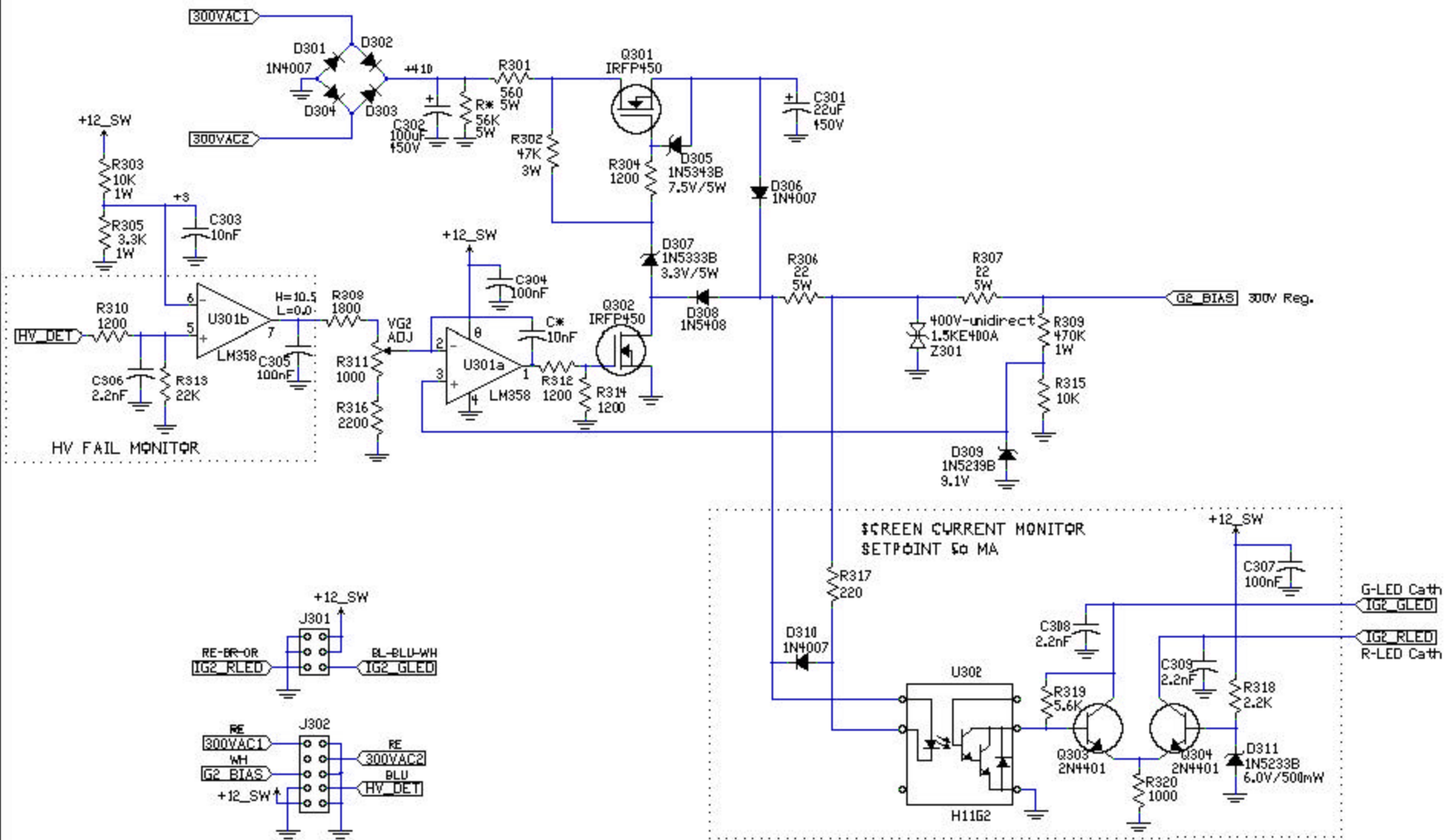
Title	RF Deck ver A2	Revision	A2
File	RF Deck_A2.sch	Size	A
Author	Jim Garland W2ZR	Date	12-05-2015
		Sheet	1 of 1



Title:	Front Panel Wiring
File:	Front Panel.sch
Author:	Jim Garland W8ZR
Date:	03-30-2013
Revision:	A
Size:	A
Sheet	1 of 1

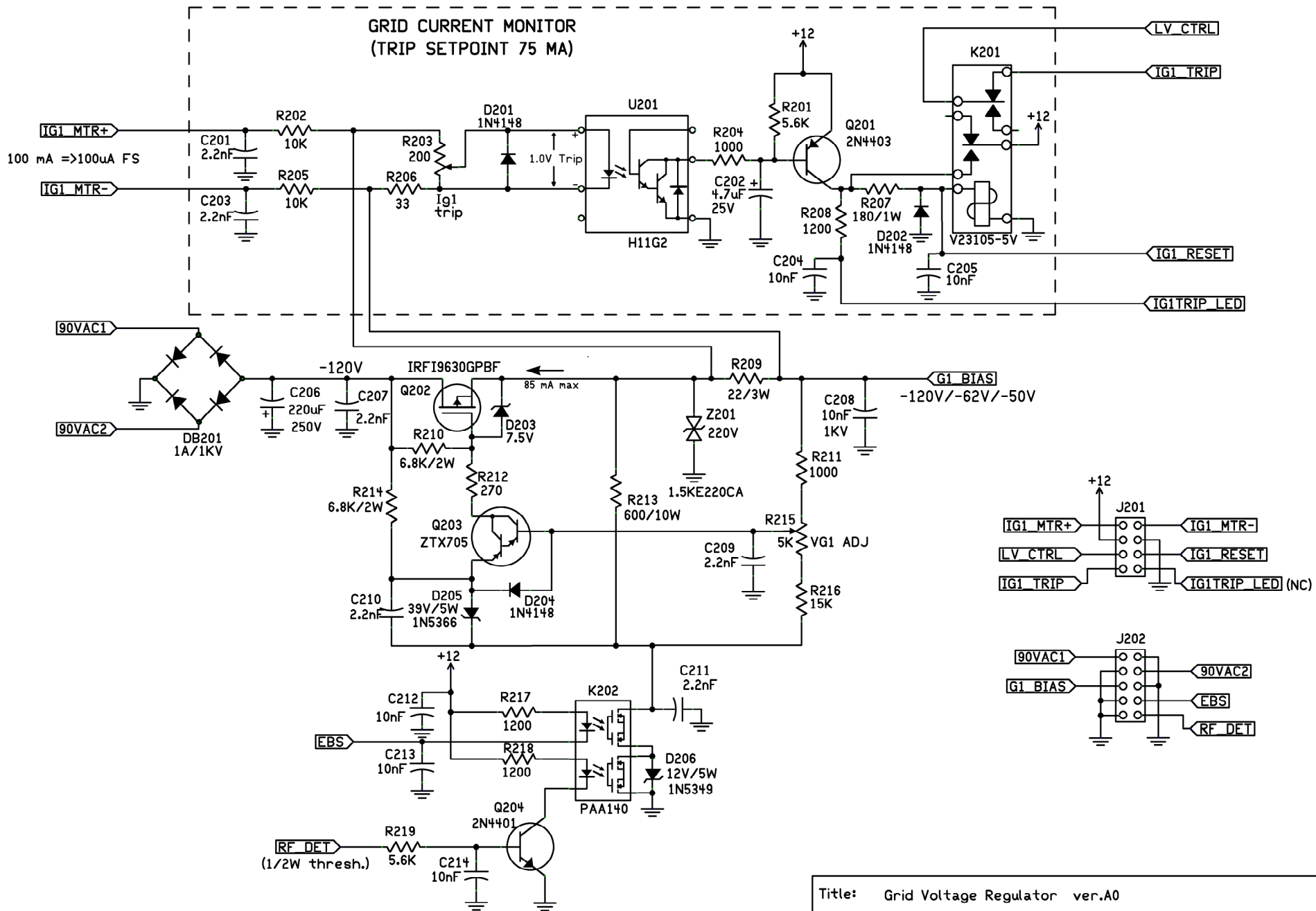


Title:	Rear Panel Wiring
File:	Front Panel.sch
Author:	Jim Garland W8ZR
Date:	10-10-2013
Revision:	B
Size:	A
Sheet	1 of 1

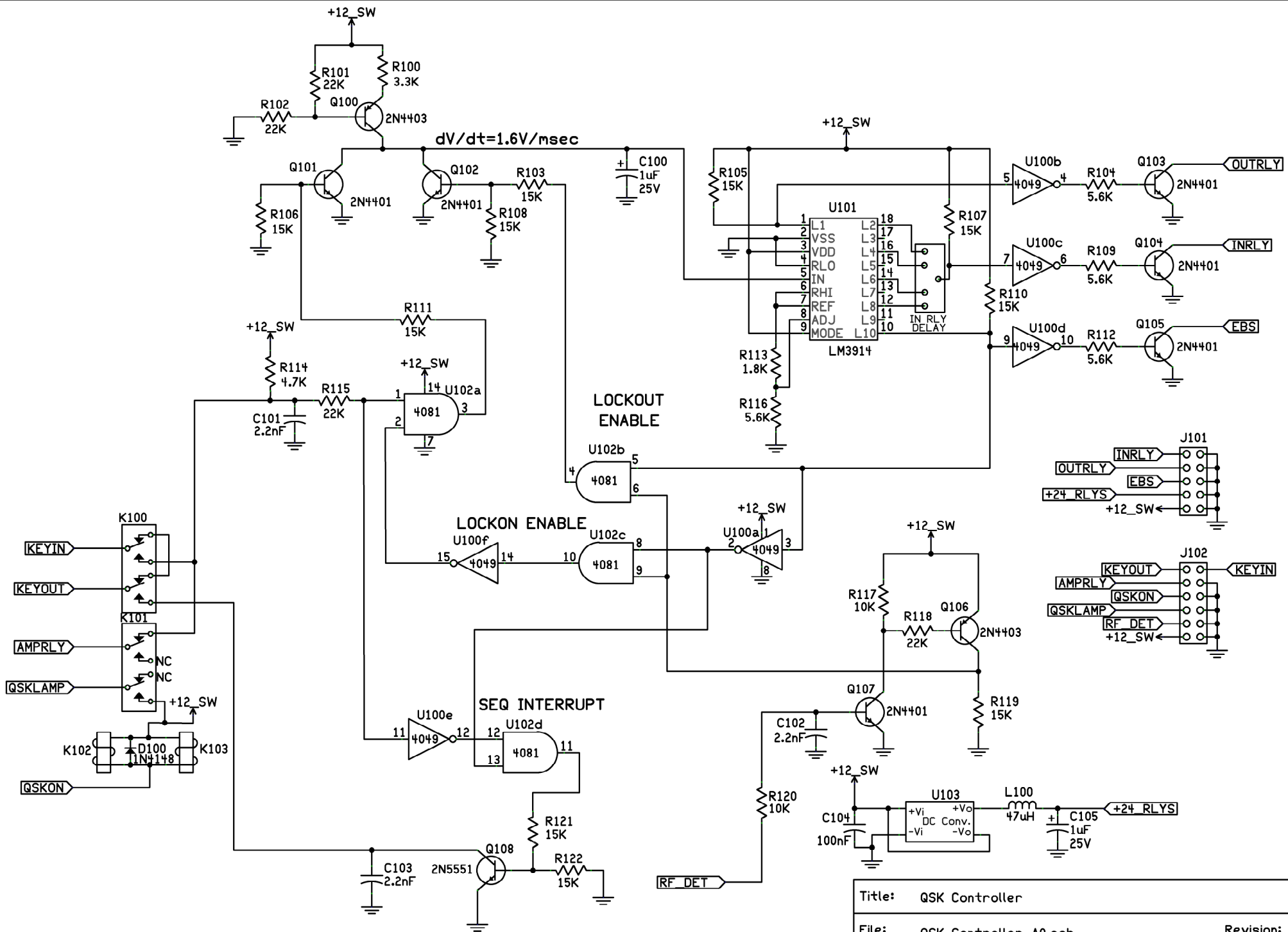


NOTE C* (10nF) patched under PCB
 R* (56K/5W) patched on top of PCB

Title:	Screen Voltage Regulator	
File:	Screen Voltage Regulator_D0.sch	Revision: D0
Author:	Jim Garland W8ZR	Size: A
Date:	12-05-2015	Sheet 1 of 1



Title:	Grid Voltage Regulator ver.A0	Revision:	A1
File:	Grid Voltage Regulator_A1.sch	Size:	A
Author:	Jim Garland W8ZR	Date:	03-30-2013
		Sheet	1 of 1



Title:	QSK Controller
File:	QSK Controller_A0.sch
Author:	Jim Garland W8ZR
Date:	03-30-2013
Revision:	A0
Size:	A
Sheet	1 of 1